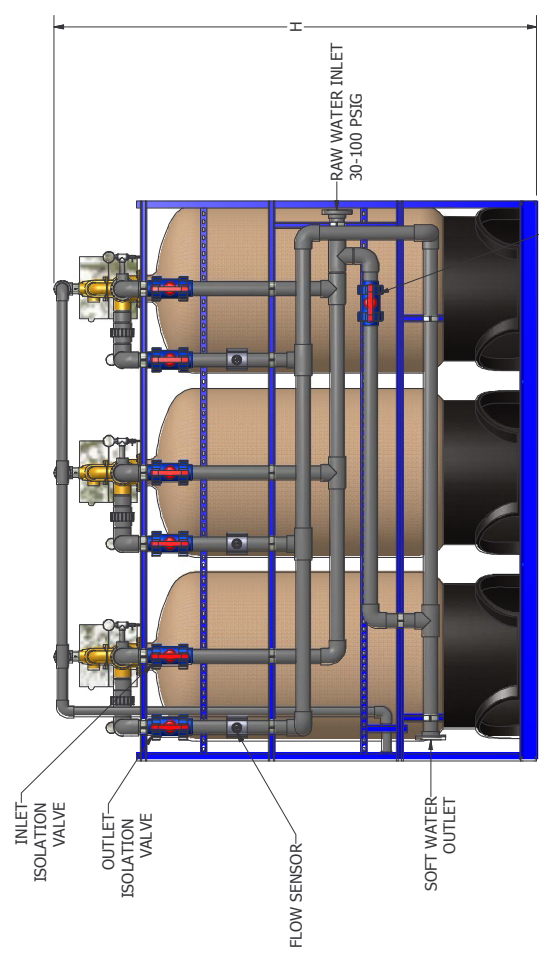
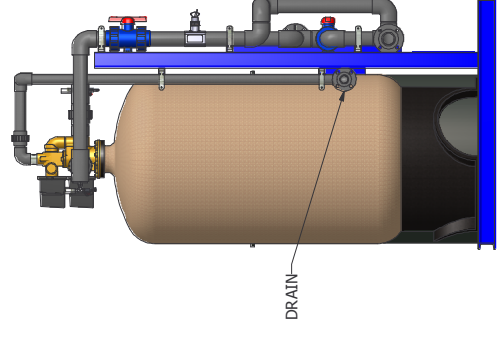
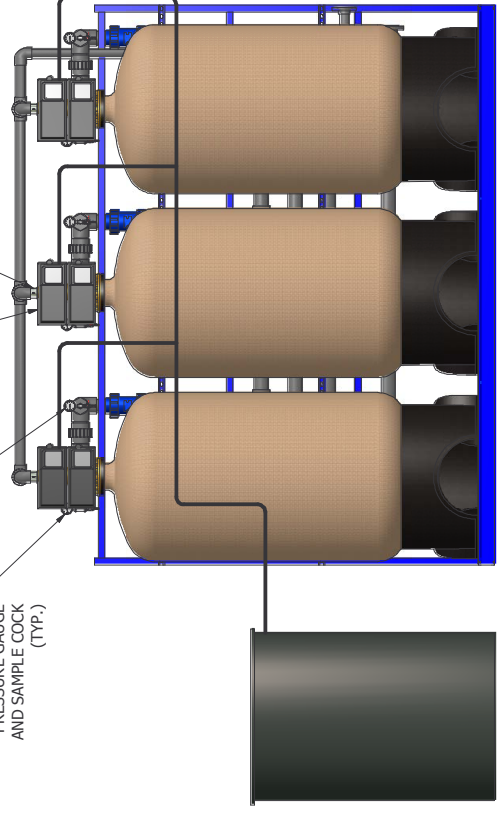
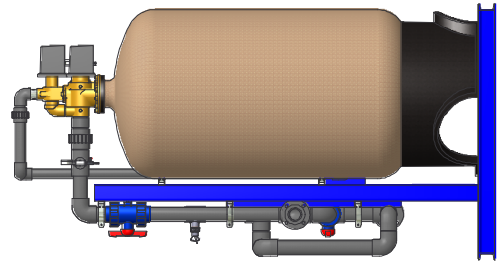
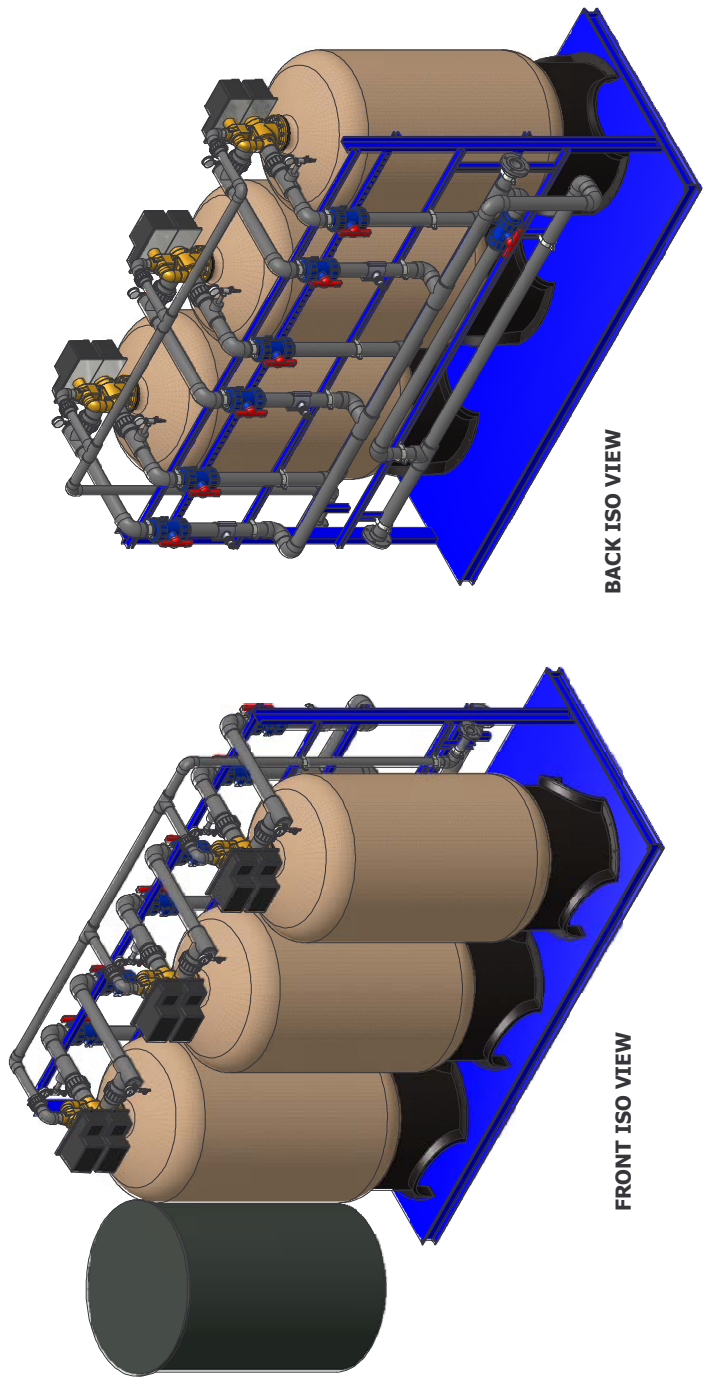
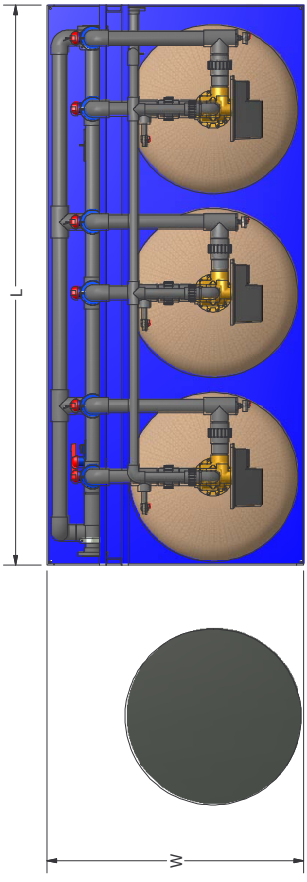


DIMENSION TABLE	MGT=
L=	RT=
W=	BT=
H=	



NO.		DATE	BY	REVISIONS	REMARKS

MGT TRIPLEX PARALLEL WATER SOFTENER		FILE ID:
FRG#	DEC.	
DRN.	ADJG	SCALE
APFD.	DATE	4/21/2009
MGT TRIPLEX PAR SKID		SHEET 1 OF 1

